

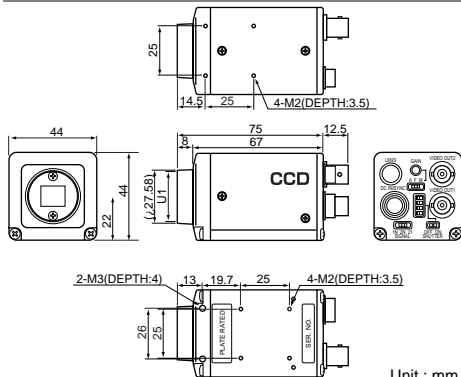
Progressive scan Black-and-White CCD Camera

KP-F1A



KP-F1A is progressive scan Black-and-White Camera with full pixel independent readout 1/2-inch CCD.

Dimensions



Main Specifications

- Imaging device : 1/2-inch Inter-line CCD square shape pixels
- No. of effective pixels : EIA:659(H)X494(V)
CCIR:782(H)X582(V)
- 1 line frame output
- Sync system : Int./Ext.
- External trigger : Field/frame on demand
- Lens mount : C-mount
- Power supply : 12 VDC
- Dimensions : 44(W)X44(H)X67(D) mm
- Mass : 150 g approx.

Standard composition

- (1) Camera body (with infrared blocking filter)
- (2) Operation manual

Optional accessories

- (1) Tripod adaptor TA-M1
- (2) 6-pin plug HR10A-7P-6P
- (3) 12-pin plug HR10A-10P-12S(01)
- (4) Junction box JU-F1 or JU-M1A
- (5) Dummy glass (AR-coated) ARC1214
- (6) Camera cable (molded type)

2m C-201KSM
5m C-501KSM
10m C-102KSM

- (7) AC adaptor AP-130

